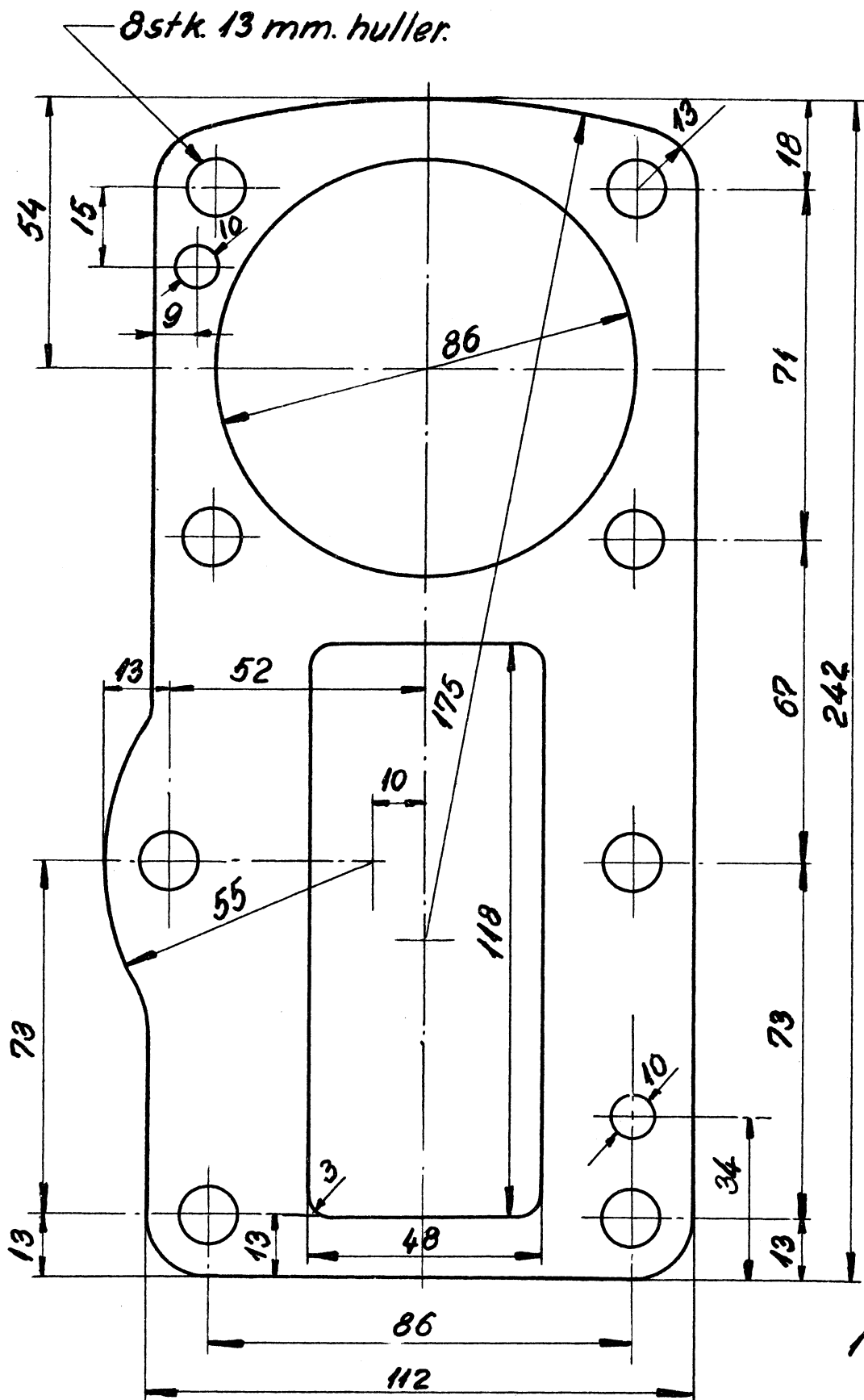


F-Norm.
D.S.B.

Pakning for oliepumpe
Westinghouse type DHC2.M.M.

45.951-22

1954



Rekvissionsbetegnelse	Materiale	Model nr.	Mindstebeh.
Pakning. F-Norm. 45.951-22	Karduspapir		Kh.20 Ar. 0